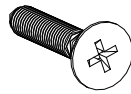
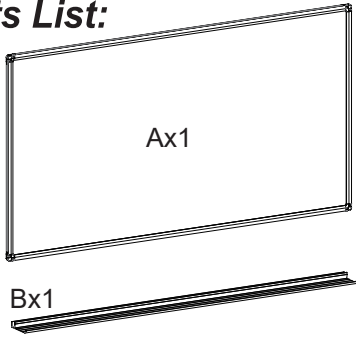
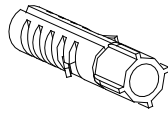


Parts List:



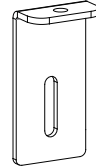
Cx4



Dx4



Ex4



Fx4

NOTE: The included hardware can ONLY be used on drywall.  
For safe mounting, choose the proper hardware for your wall type.  
Consult your local hardware store for assistance.

Tools Required

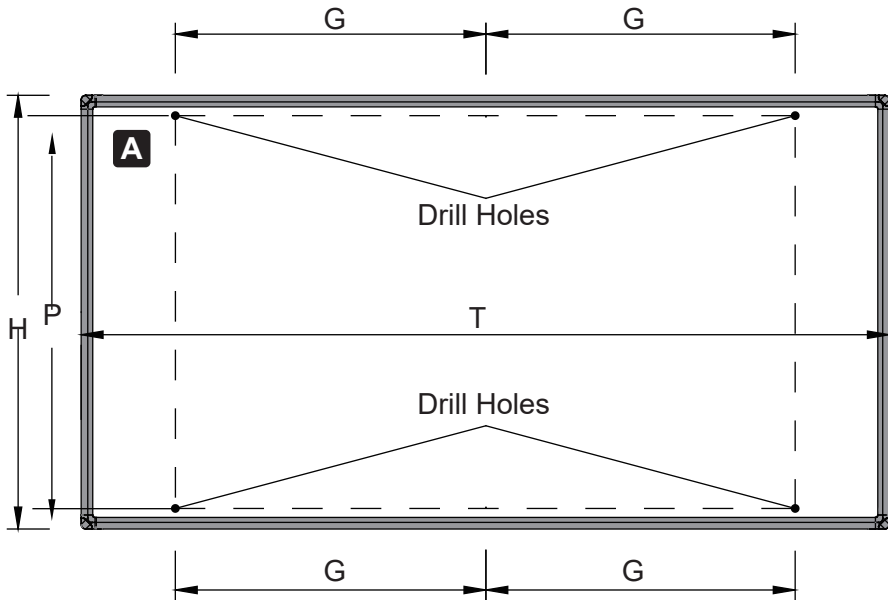
- Tape Measure
- Pencil
- Power Drill
- Drill Bit
- Hammer
- Phillips Screwdriver
- Spirit Level

Cleaning Tips:  
Clean the writing surface with a lint-free cloth and mild cleaning solution.

STEP 1

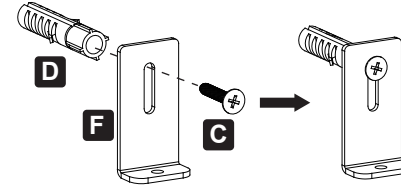
Drill holes on the desired mounting location according to the chart below.

SIZE	T	H	G	P
W90xL150	1500MM	900MM	610MM	835MM
W100xL180	1800MM	1000MM	610MM	935MM
W100xL200	2000MM	1000MM	610MM	935MM
W120xL180	1800MM	1200MM	610MM	1135MM
W120xL200	2000MM	1200MM	610MM	1135MM

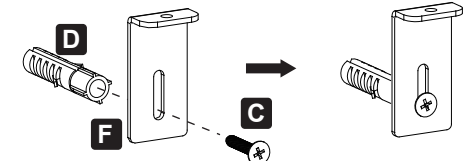


STEP 2

Insert 4 drywall anchors D into holes. Attach 2 brackets F at bottom and fix them with screw C. Make sure the bracket is in the lowest position.

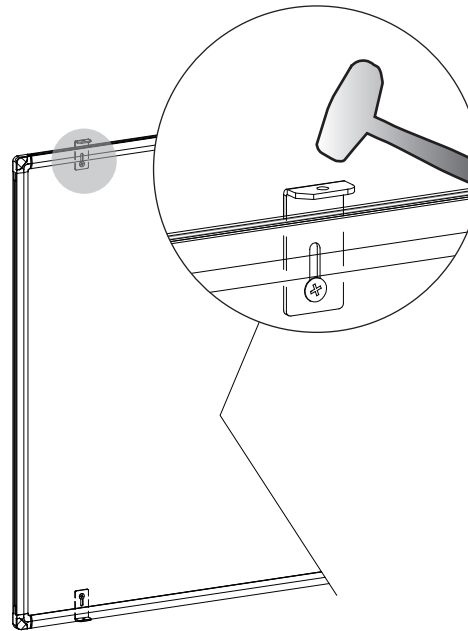


Then attach 2 brackets F at the top with screw C. Make sure the bracket is in the highest position. Tighten screw just enough so that the bracket can be tapped down with hammer.



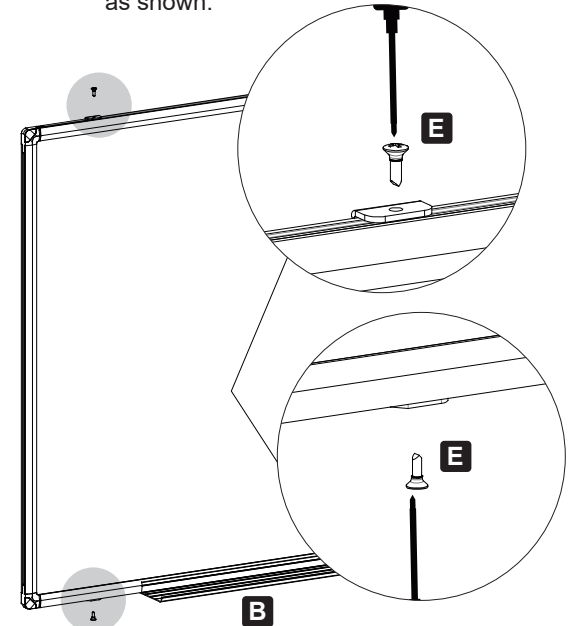
STEP 3

Use a hammer to tap down the top brackets.



STEP 4

Fix the brackets with the whiteboard by using screw E at top and bottom. Attach tray B to the bottom of the whiteboard as shown.



If you have any questions regarding our products, please visit us at [www.displays2go.com](http://www.displays2go.com) or contact D2G customer service 844-221-3388.